

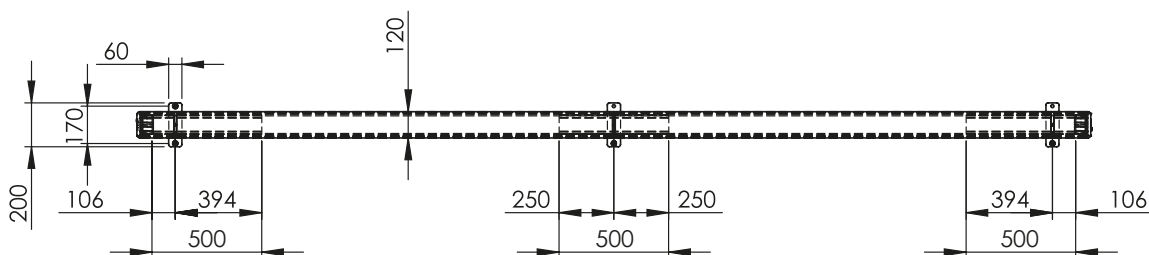
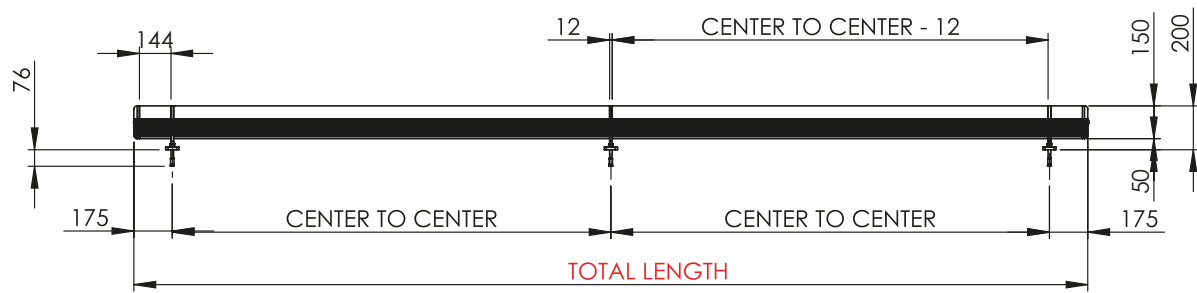
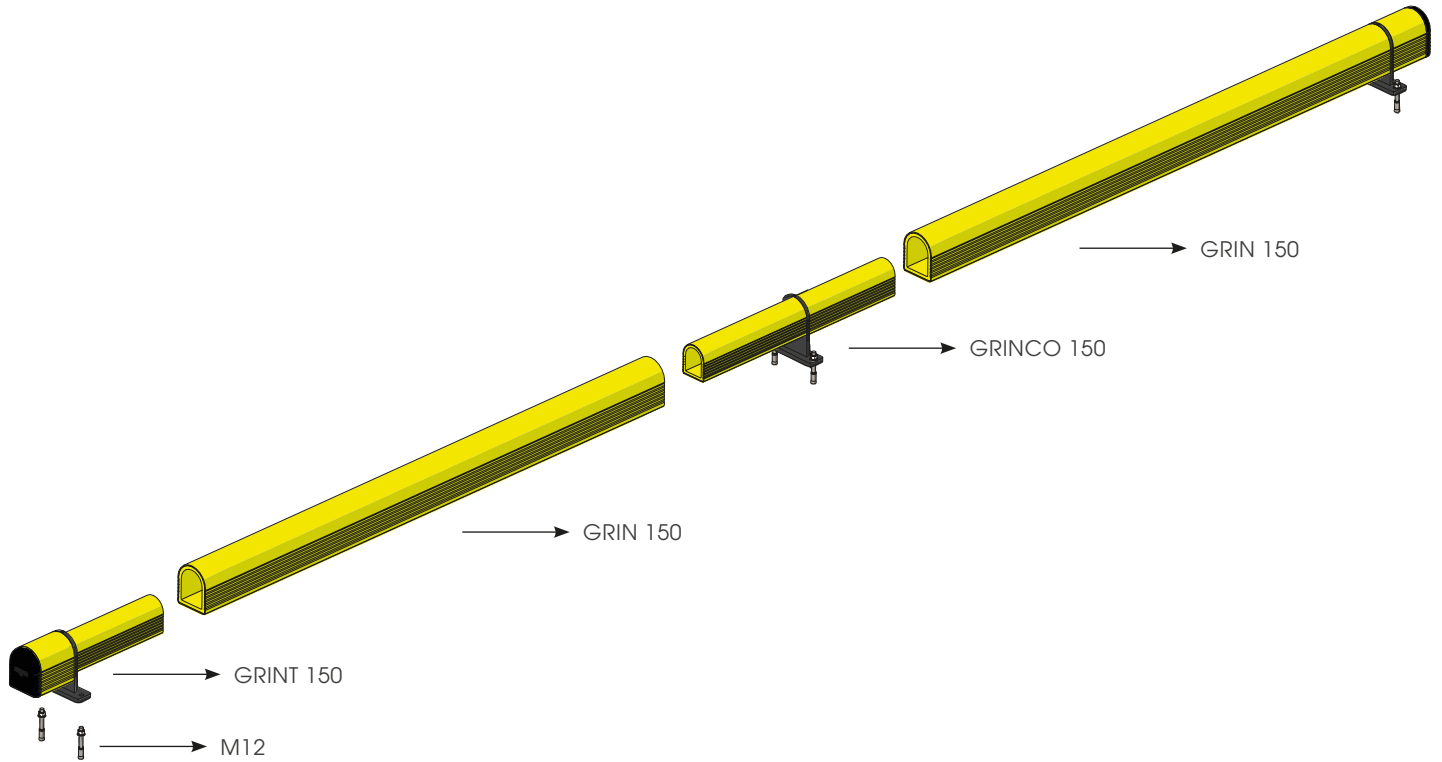
### 03. GUARD RAIL

# GRIN 150

GUARD RAIL CONTINUO  
CONTINUOUS GUARD RAIL

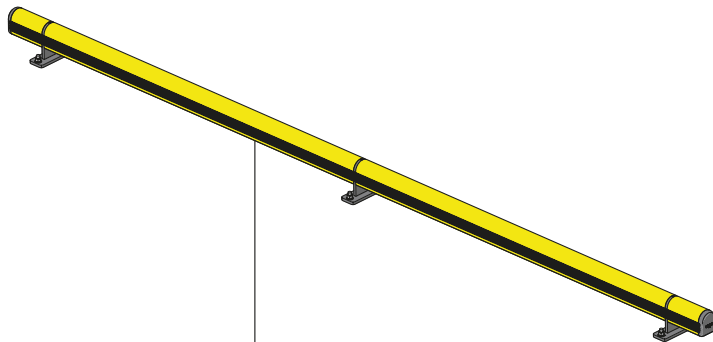
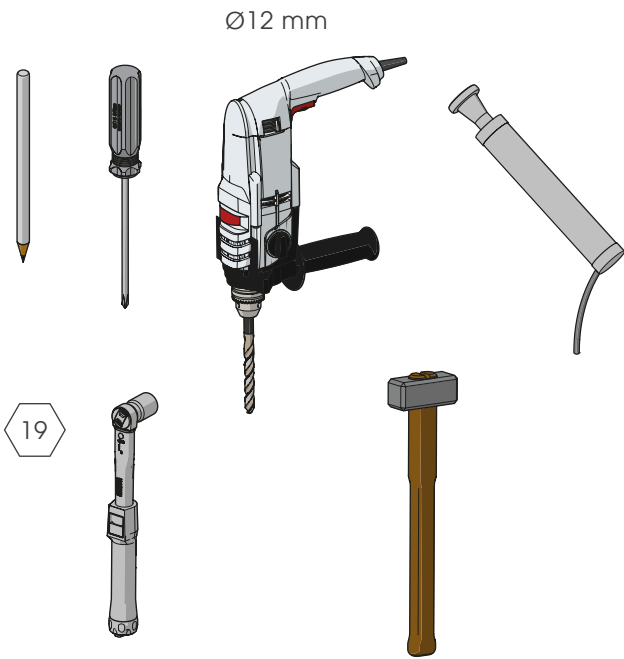


**IMPACT TEST PASSED**  
according to  
AFNORNP P98-310

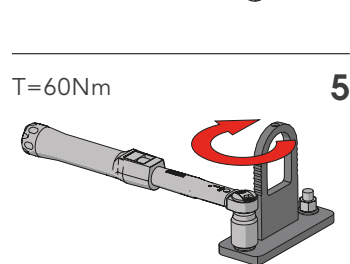
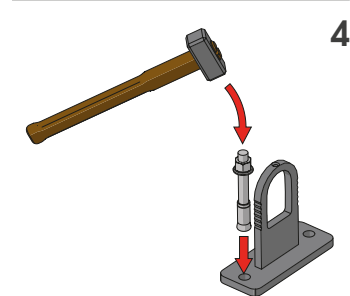
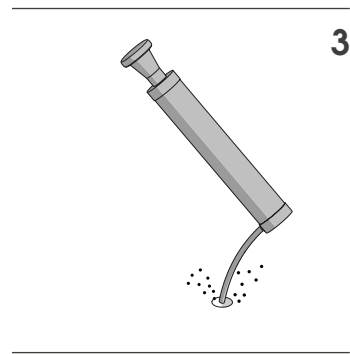
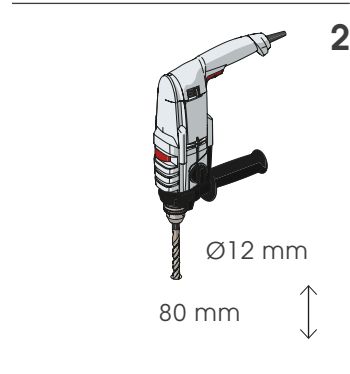
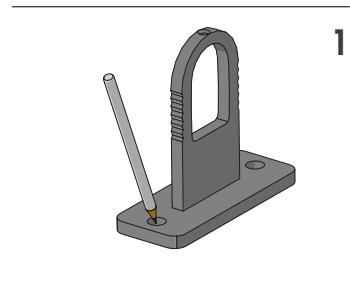
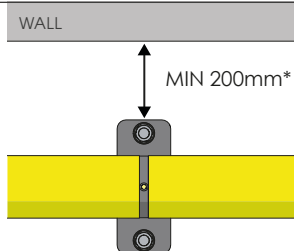


# GRIN 90/150

ISTRUZIONI DI INSTALLAZIONE  
ASSEMBLY INSTRUCTIONS



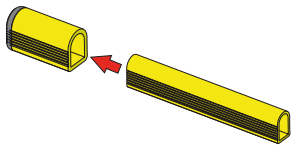
**WARNING**  
The distance of installation depends on speed and weight of vehicle



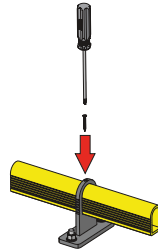
# GRIN 90/150

ISTRUZIONI DI INSTALLAZIONE  
ASSEMBLY INSTRUCTIONS

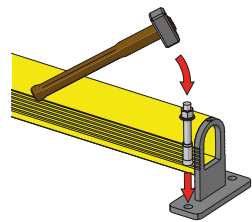
6



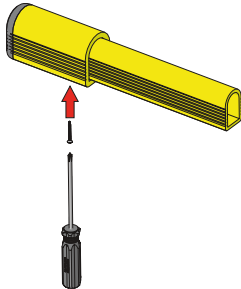
11



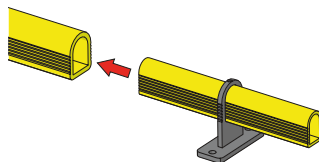
16



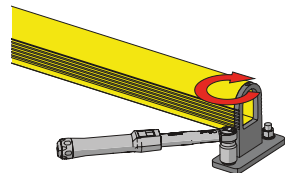
7



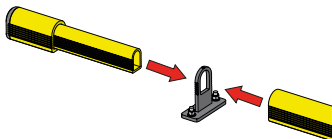
12



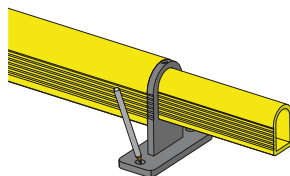
17



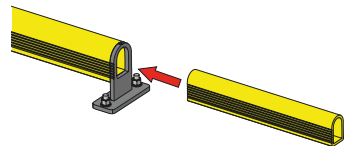
8



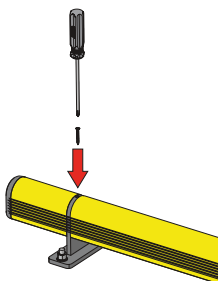
13



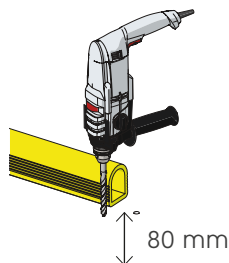
18



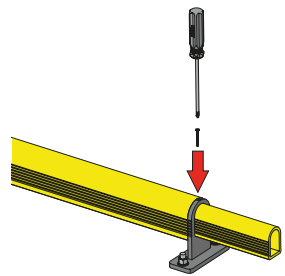
9



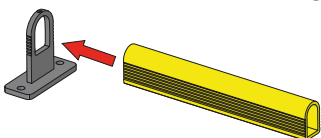
14



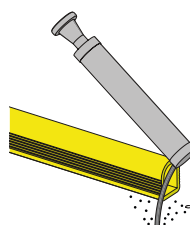
19



10



15



20

